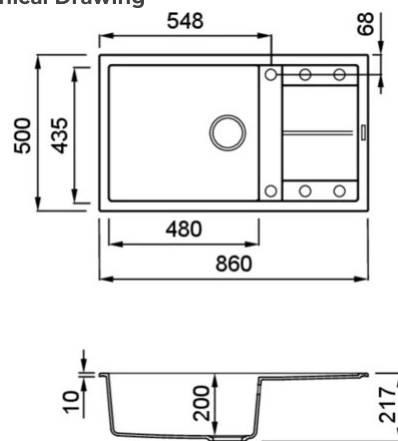


# UNICO 410



## Technical Drawing



0

<b>Description</b>	1-bowl sink with drainer
<b>Model</b>	UNICO 410
<b>Base (mm)</b>	600
<b>0</b>	Inset
<b>Dimensions (mm)</b>	860 x 500
<b>Hole for built-in installation (mm)</b>	840 x 480
<b>Number of Bowls</b>	1
<b>Bowl Depth (mm)</b>	200



0

<b>Gross Weight (kg)</b>	17,70
<b>Net Weight (kg)</b>	12,00
<b>Packaging Dimension (kg)</b>	940 x 575 x 300
<b>0 (kg)</b>	0,162

0

<b>Packaging</b>	Cardboard and polyethylene
<b>0</b>	Space-saving siphon, wastes and hooks.



**LKU41097** K97  
8032557023968



**LKU41096** K96  
8031873028664



**LKU41093** K93  
8032557027270



**LKU41086** K86  
8031873028602



METAL



**LMU41073** M73  
8031873110475



**LMU41079** M79  
8031873110604

MATT



**LGU41040** G40  
8032557036470



**LGU41043** G43  
8032557036487



**LGU41048** G48  
8032557036272



**LGU41068** G68  
8032557036500



**LGU41078** G78  
8032557067306

CLASSIC



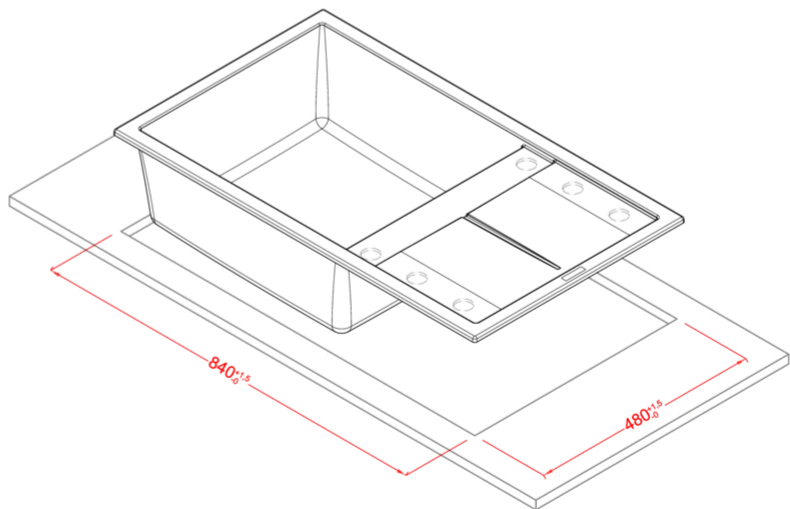
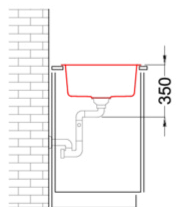
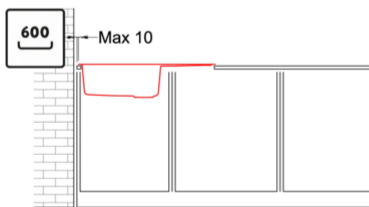
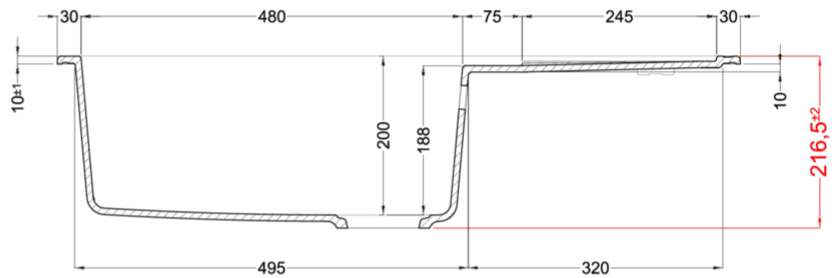
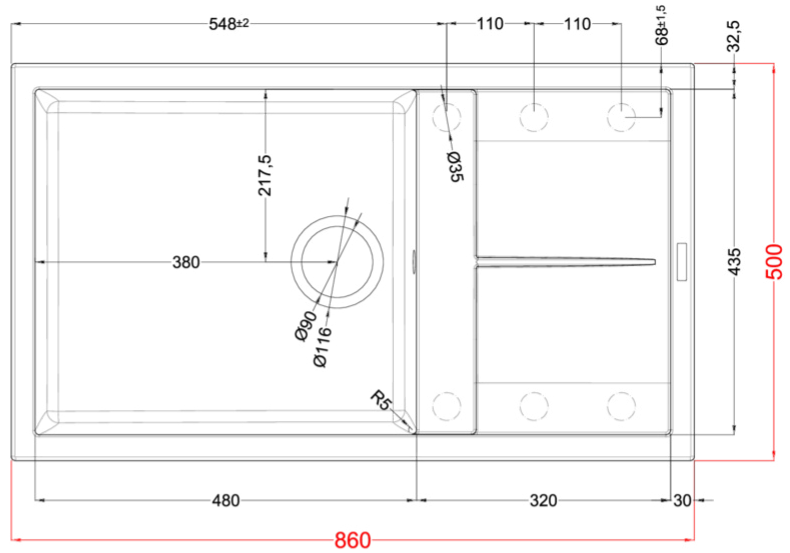
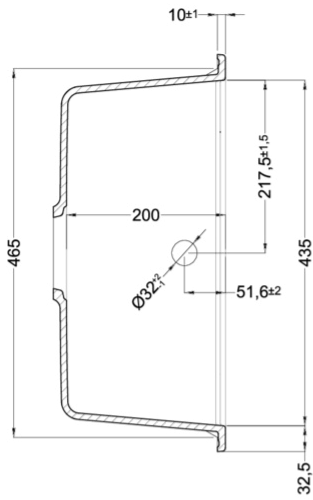
**LGU41051** G51  
8032557037651



**LGU41059** G59  
8032557038252



**LGU41062** G62  
8032557036494



# UNICO 410

general tolerances where not expressly communicated ±0.2%  
connection dimensions according to UNI EN 695

