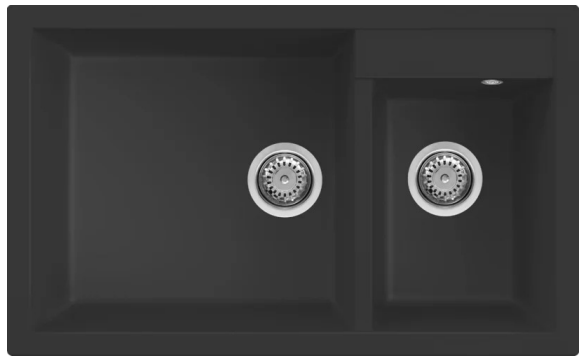
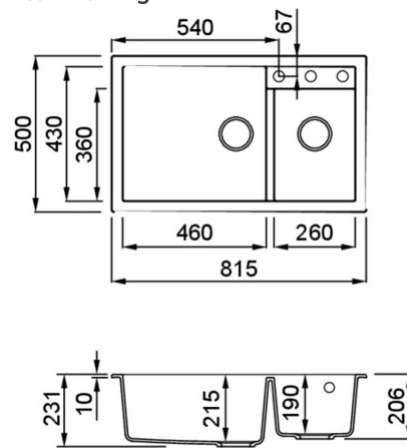


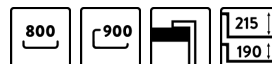
# QUADRA 440



## Technical Drawing



0	
<b>Description</b>	2-bowl sink
<b>Model</b>	QUADRA 440
<b>Base (mm)</b>	800     900 if first component
0	Inset
<b>Dimensions (mm)</b>	815 x 500
<b>Hole for built-in installation (mm)</b>	800 x 480
<b>Number of Bowls</b>	2
0	
<b>Gross Weight (kg)</b>	19,68
<b>Net Weight (kg)</b>	13,70
<b>Packaging Dimension (kg)</b>	940 x 575 x 300
0 (kg)	0,165
0	
<b>Packaging</b>	Cardboard and polystyrene
0	Space-saving siphon, wastes and hooks.



## GRANITEK® NATURAL GRANITE EFFECT

### METAL



**LMQ44073** M73  
8032861956716



**LMQ44079** M79  
8032861956693

## GRANITEK® NATURAL GRANITE EFFECT

### MATT



**LGQ44040** G40  
8031873035778



**LGQ44043** G43  
8031873035761

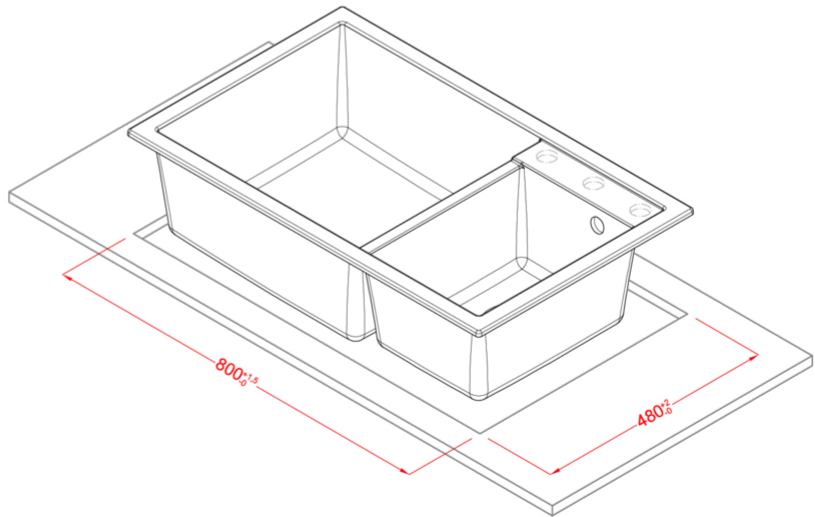
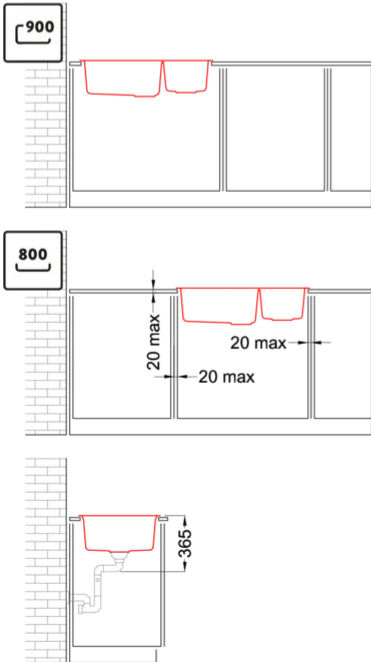
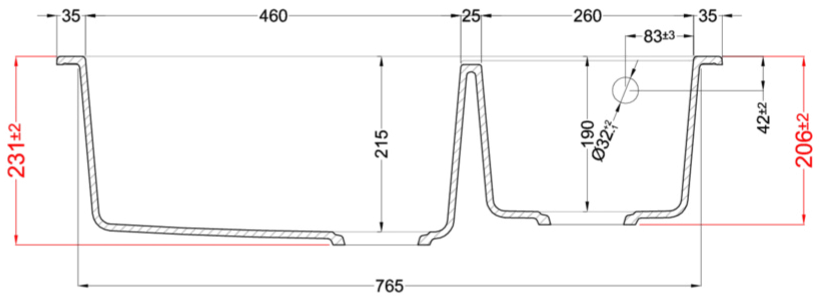
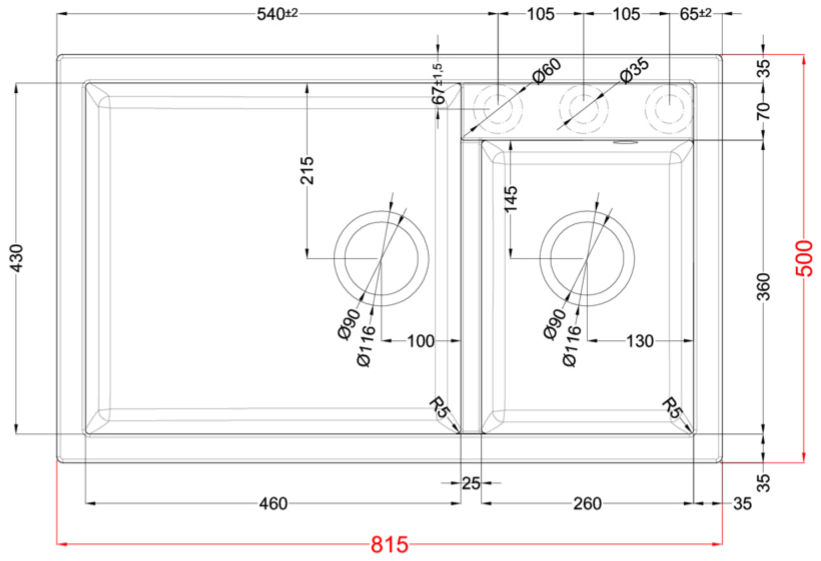
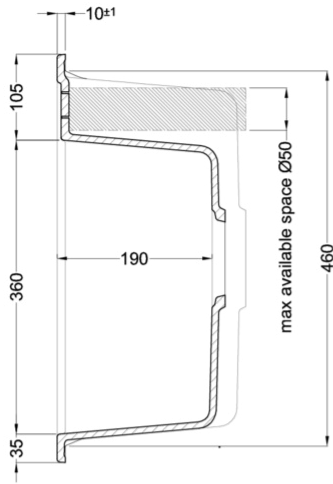


**LGQ44068** G68  
8031873035747

CLASSIC



**LGQ44051** G51  
8031873035754



# QUADRA 440

general tolerances where not expressly communicated ±0.2%  
connection dimensions according to UNI EN 695

