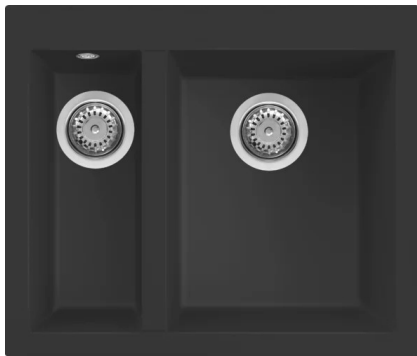
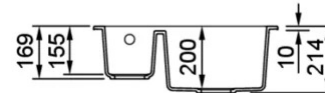
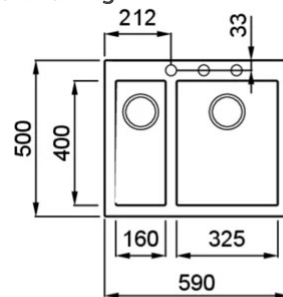


QUADRA 150



Technical Drawing



0	
Description	2-bowl sink
Model	QUADRA 150
Base (mm)	600
0	Inset
Dimensions (mm)	590 x 500
Hole for built-in installation (mm)	as per drawing
Number of Bowls	2
0	
Gross Weight (kg)	17,04
Net Weight (kg)	11,30
Packaging Dimension (kg)	690 x 575 x 300
0 (kg)	0,119
0	
Packaging	Cardboard and polyethylene
0	Space-saving siphon, wastes and hooks.

KERATEK[®]

CERAMIC NANOTECHNOLOGY CN6



LKQ15086 K86
8031873023874



LKQ15093 K93
8031873027438



LKQ15095 K95
8031873027452



LKQ15096 K96
8031873023867



LKQ15097 K97
8031873027476



LKQ15099 K99
8031873027490

GRANITEK[®]

NATURAL GRANITE EFFECT

METAL

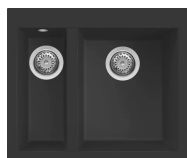


LMQ15073 M73
8031873956264



LMQ15079 M79
8032557952893

MATT



LGQ15040 G40
8032861040569



LGQ15043 G43
8032861044284



LGQ15048 G48
8032557030706



LGQ15068 G68
8032861056881



LGQ15078 G78
8032557067191

CLASSIC



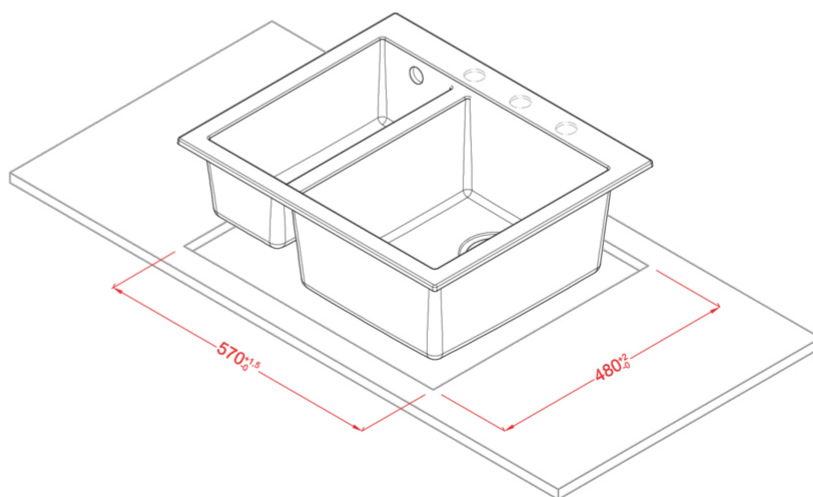
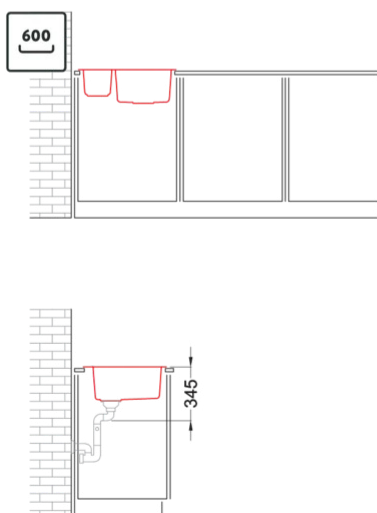
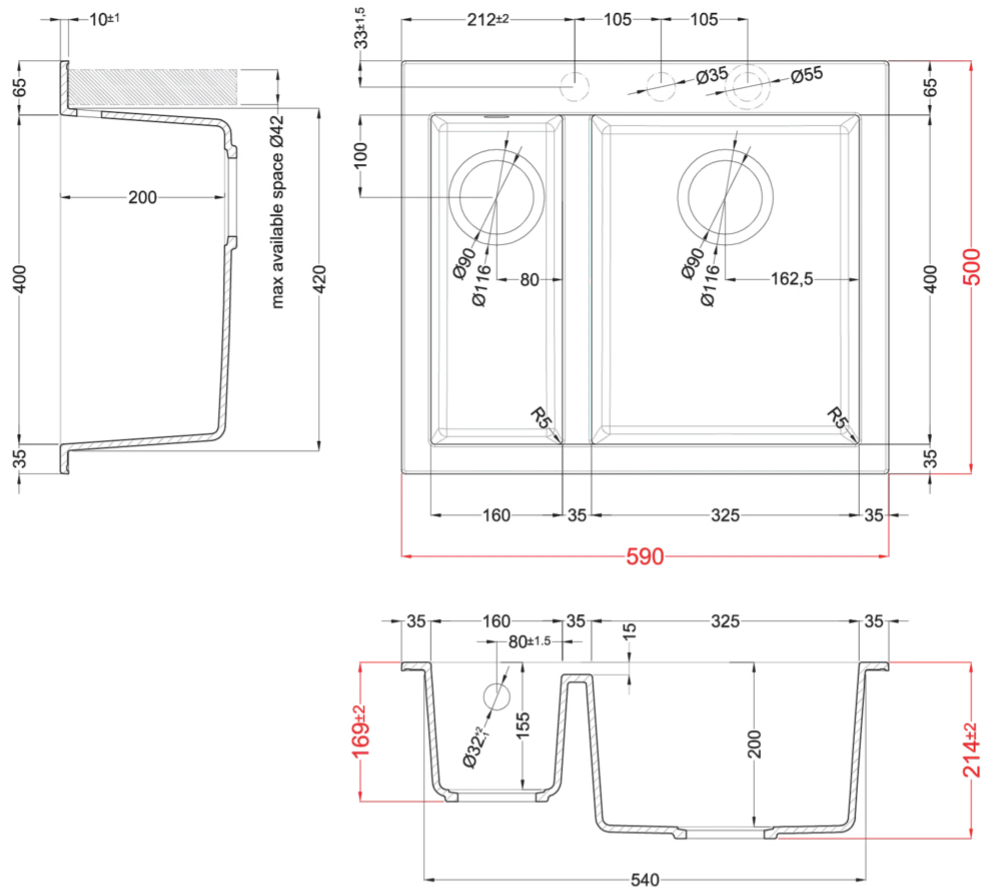
LGQ15051 G51
8032861056812



LGQ15059 G59
8032861056867



LGQ15062 G62
8032861056874



QUADRA 150

general tolerances where not expressly communicated ±0.2%



