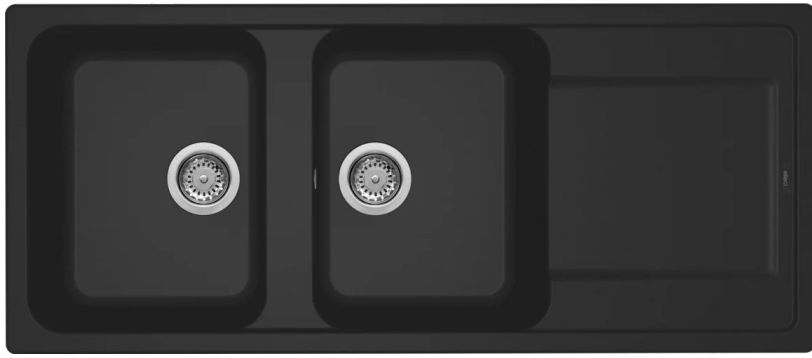
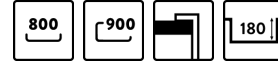
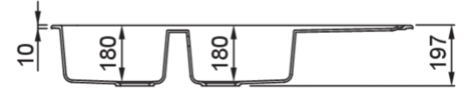
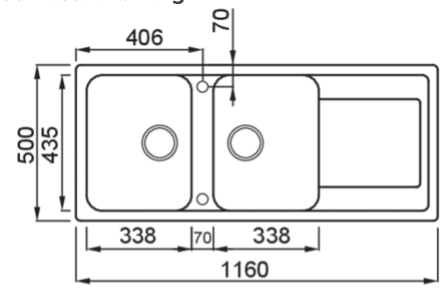


# LIFE 500



## Technical Drawing



0	
<b>Description</b>	2-bowl sink with drainer
<b>Model</b>	LIFE 500
<b>Base (mm)</b>	800
0	Inset
<b>Dimensions (mm)</b>	1160 x 500
<b>Hole for built-in installation (mm)</b>	1140 x 480
<b>Number of Bowls</b>	2
0	
<b>Packaging Dimension (kg)</b>	1250 x 575 x 300
<b>0 (kg)</b>	0,216
0	
0	Space-saving siphon, wastes and hooks.

## GRANITEK®

### METAL



**LM250073** M73  
8032557110163



**LM250079** M79  
8032557110170

## GRANITEK®

### MATT



**LG250078** G78  
8032557067849



**LG250040** G40  
8032557067771



**LG250043** G43  
8032557067788



**LG250048** G48  
8032557067795



**LG250068** G68  
8032557067832

## GRANITEK®

### CLASSIC



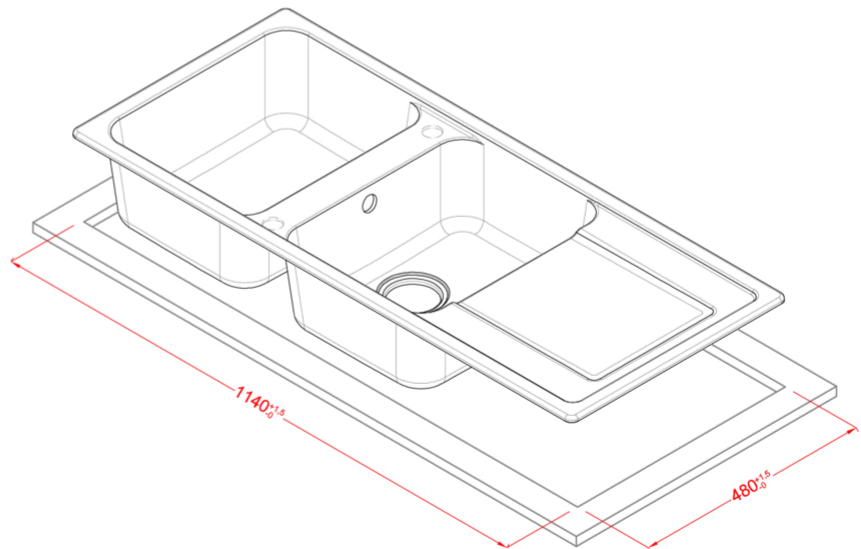
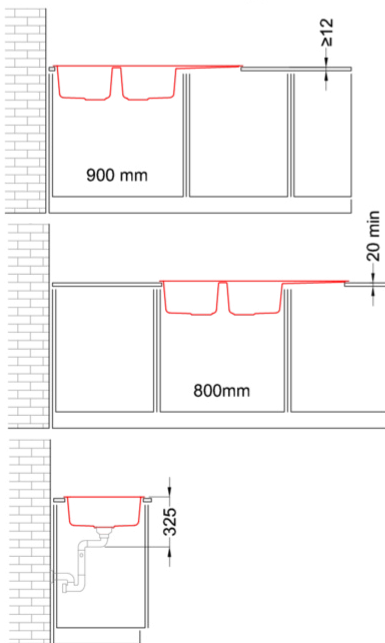
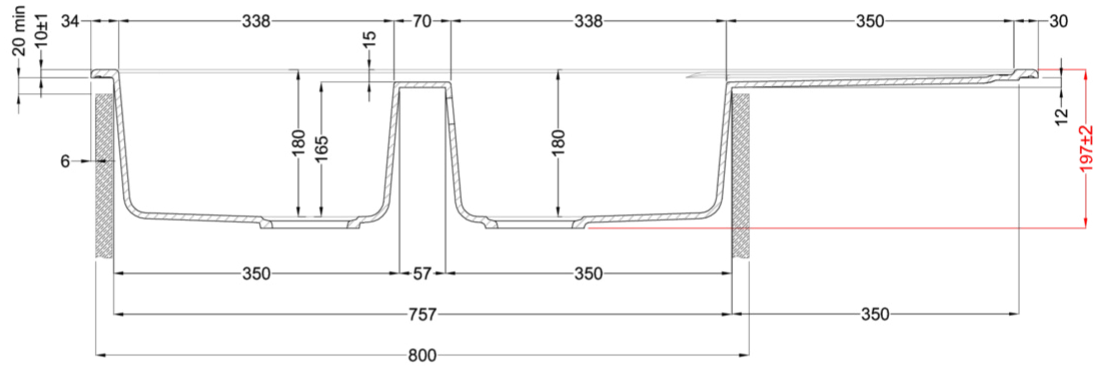
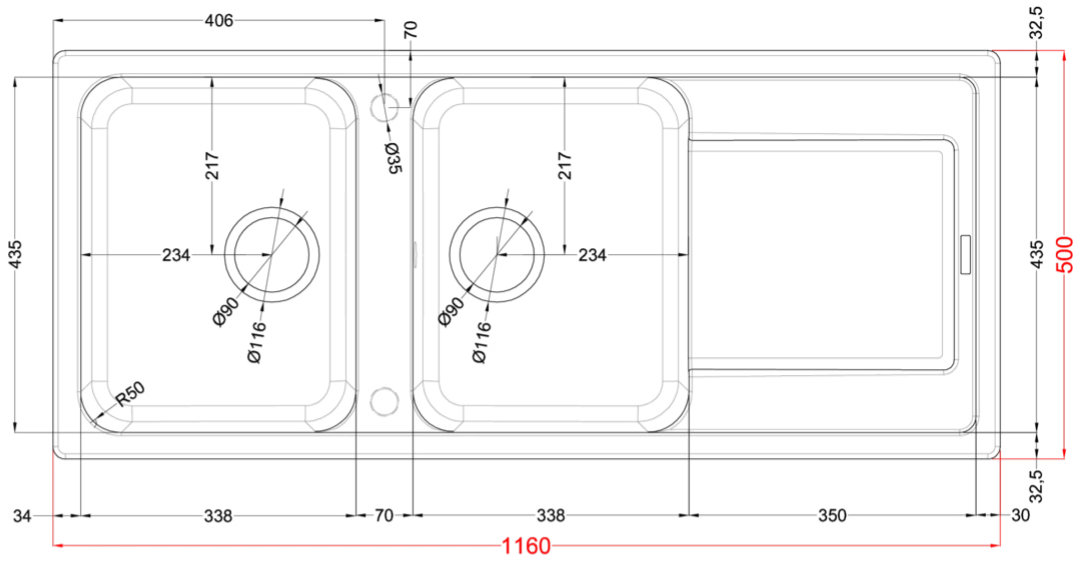
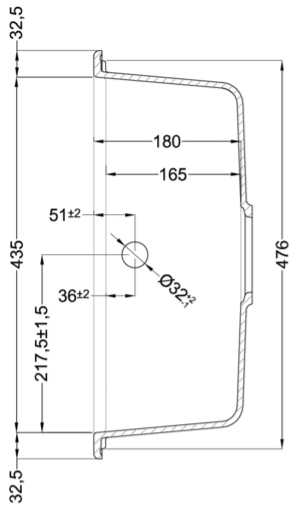
**LG250051** G51  
8032557067801



**LG250059** G59  
8032557067818



**LG250062** G62  
8032557067825



# LIFE 500

general tolerances where not expressly communicated ±0.2%  
connection dimensions according to UNI EN 695

