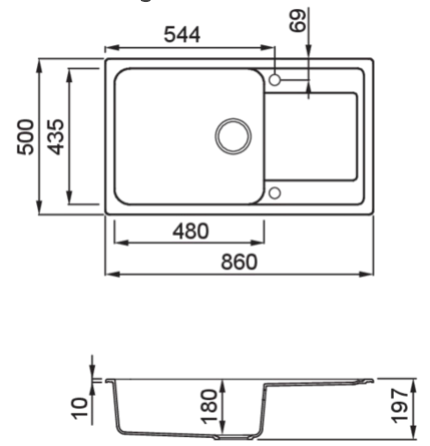


LIFE 410



Technical Drawing



0

**Description** 1-bowl sink with drainer

**Model** LIFE 410

**Base (mm)** 600

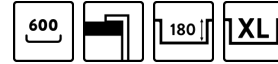
**0** Inset

**Dimensions (mm)** 860 x 500

**Hole for built-in installation (mm)** 840 x 480

**Number of Bowls** 1

**Bowl Depth (mm)** 180



0

**Packaging Dimension (kg)** 940 x 575 x 300

**0 (kg)** 0,162

0

**0** Space-saving siphon, wastes and hooks.

**GRANITEK**

METAL



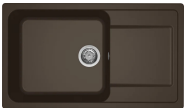
**LM241073** M73  
8032557110224



**LM241079** M79  
8032557110231

**GRANITEK**

MATT



**LG241078** G78  
8032557068006



**LG241040** G40  
8032557067931



**LG241043** G43  
8032557067948



**LG241048** G48  
8032557067955



**LG241068** G68  
8032557067993

CLASSIC



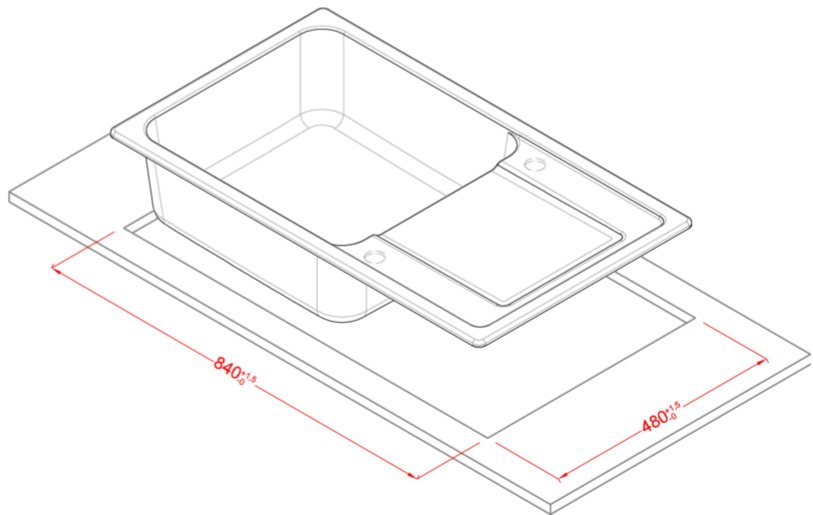
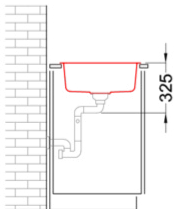
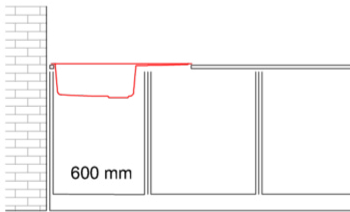
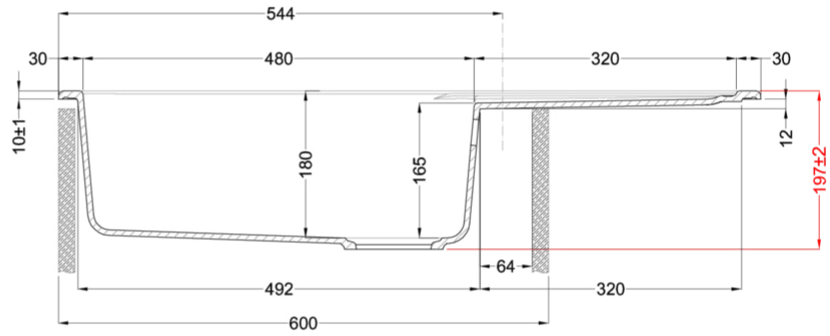
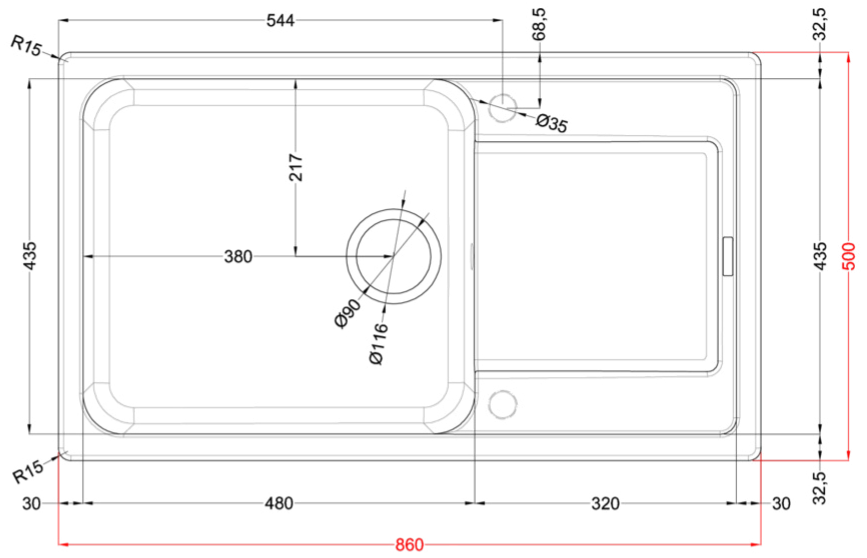
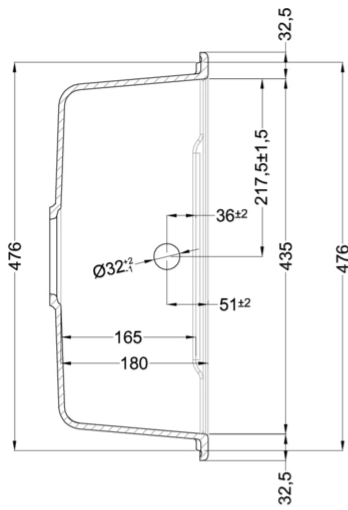
**LG241051** G51  
8032557067962



**LG241059** G59  
8032557067979



**LG241062** G62  
8032557067986



# LIFE 410

general tolerances where not expressly communicated  $\pm 0.2\%$   
connection dimensions according to UNI EN 695

