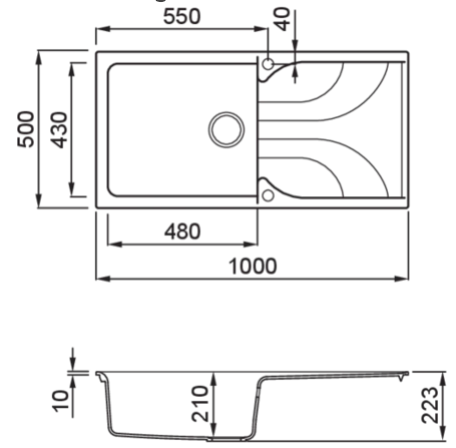


EGO 480

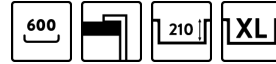


Technical Drawing



0

Description	1-bowl sink with drainer
Model	EGO 480
Base (mm)	600
0	Inset
Dimensions (mm)	1000 x 500
Hole for built-in installation (mm)	980 x 485
Number of Bowls	1
Bowl Depth (mm)	210



0

Gross Weight (kg)	19,57
Net Weight (kg)	13,60
Packaging Dimension (kg)	1080 x 575 x 300
0 (kg)	0,186

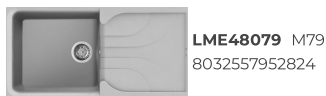
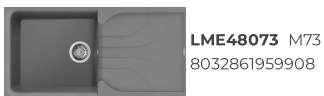
0

Packaging	Cardboard and polyethylene
0	Space-saving siphon, wastes and hooks.

GRANITEK[®]

NATURAL GRANITE EFFECT

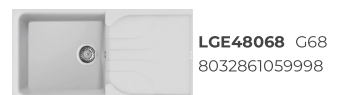
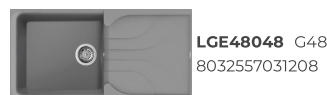
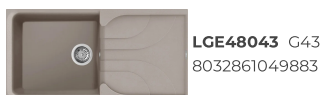
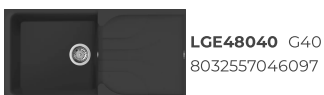
METAL



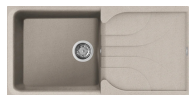
GRANITEK[®]

NATURAL GRANITE EFFECT

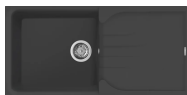
MATT



CLASSIC



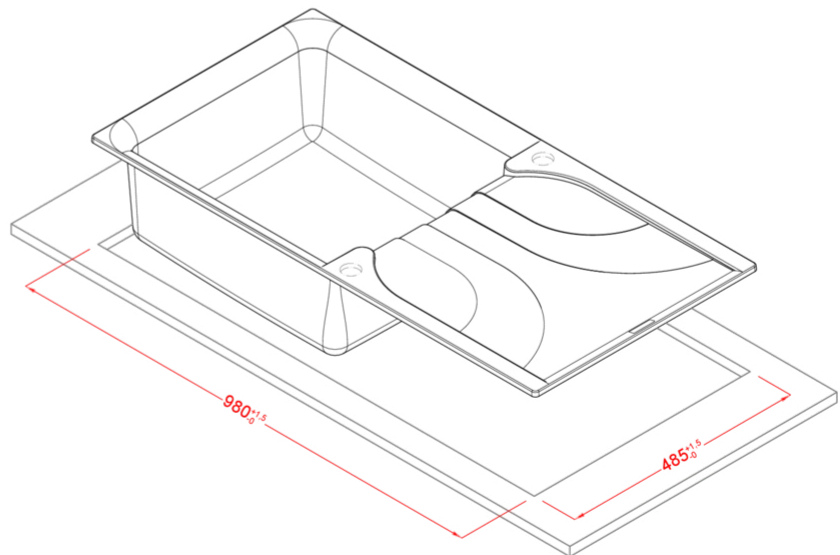
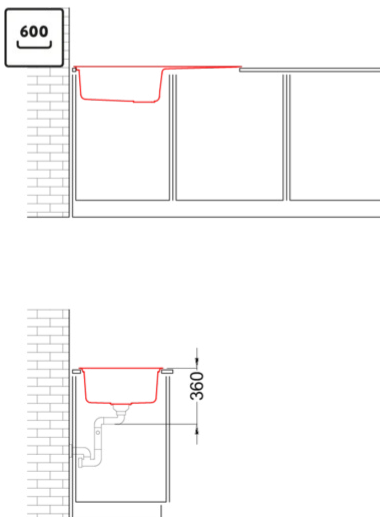
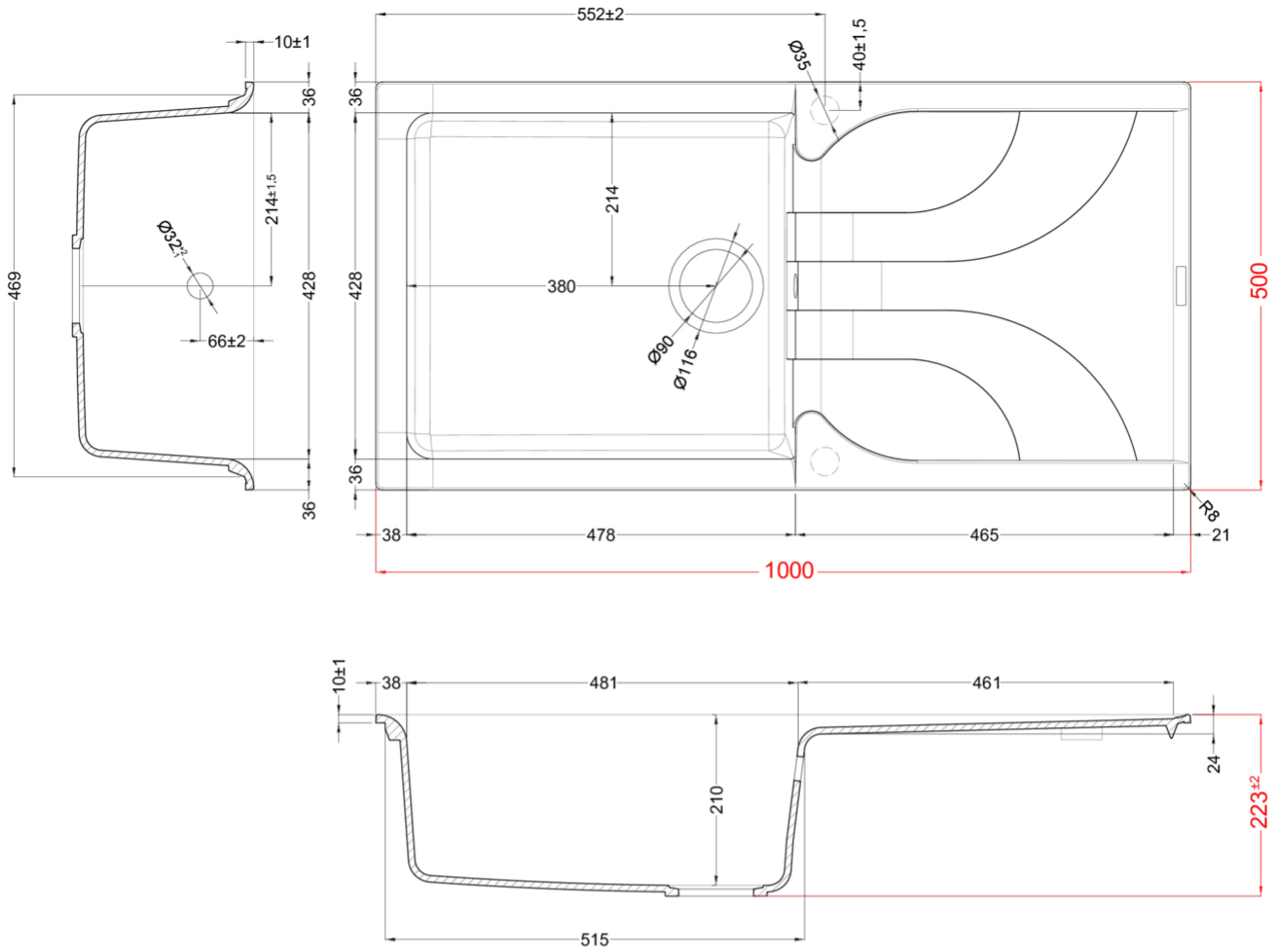
LGE48051 G51
8032861059929



LGE48059 G59
8032861059974



LGE48062 G62
8032861059981



EGO 480

general tolerances where not expressly communicated $\pm 0.2\%$
connection dimensions according to UNI EN 695

