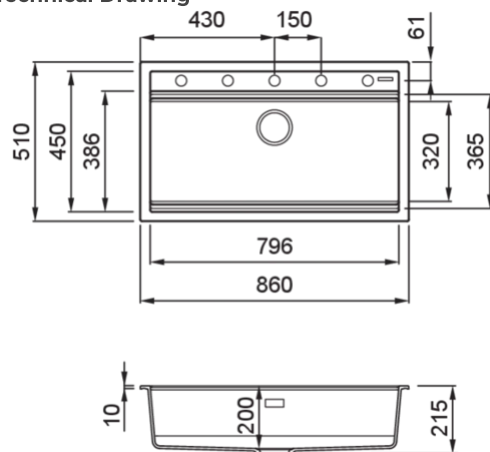


# BEST 360

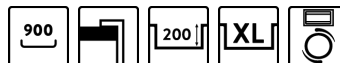


## Technical Drawing



0

<b>Description</b>	1-bowl sink
<b>Model</b>	BEST 360
<b>Base (mm)</b>	900
0	Inset
<b>Dimensions (mm)</b>	860 x 510
<b>Hole for built-in installation (mm)</b>	840 x 480
<b>Number of Bowls</b>	1
<b>Bowl Depth (mm)</b>	200



0

<b>Gross Weight (kg)</b>	19,40
<b>Net Weight (kg)</b>	14,50
<b>Packaging Dimension (kg)</b>	940 x 575 x 300
0 (kg)	0,162

0

<b>Packaging</b>	Cardboard and polyethylene
0	Space-saving siphon, integrated Flow Pro, rectangular overflow and hooks.

## KERATEK<sup>®</sup>

CERAMIC NANOTECHNOLOGY CN6



**LKB36086** K86  
8031873026370



**LKB36093** K93  
8031873026448



**LKB36095** K95  
8031873026455



**LKB36096** K96  
8031873026462



**LKB36097** K97  
8031873026387



**LKB36099** K99  
8031873026363

## GRANITEK<sup>®</sup>

NATURAL GRANITE EFFECT

METAL



**LMB36073** M73  
8031873110802



**LMB36079** M79  
8031873110826

MATT



**LGB36040** G40  
8032557037965



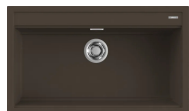
**LGB36043** G43  
8032557037972



**LGB36048** G48  
8032557037989



**LGB36068** G68  
8032557038023



**LGB36078** G78  
8032557066897

CLASSIC



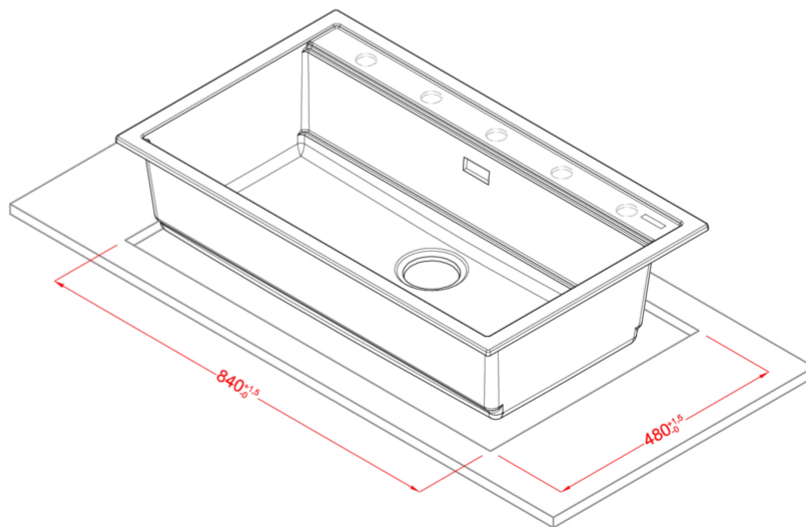
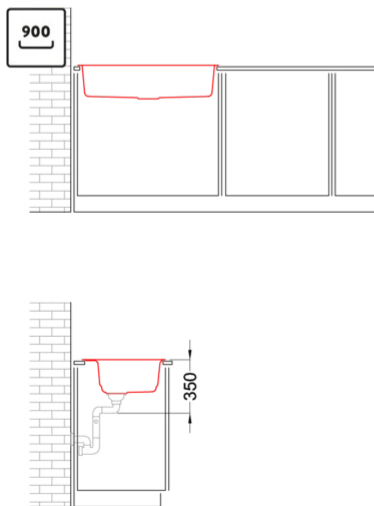
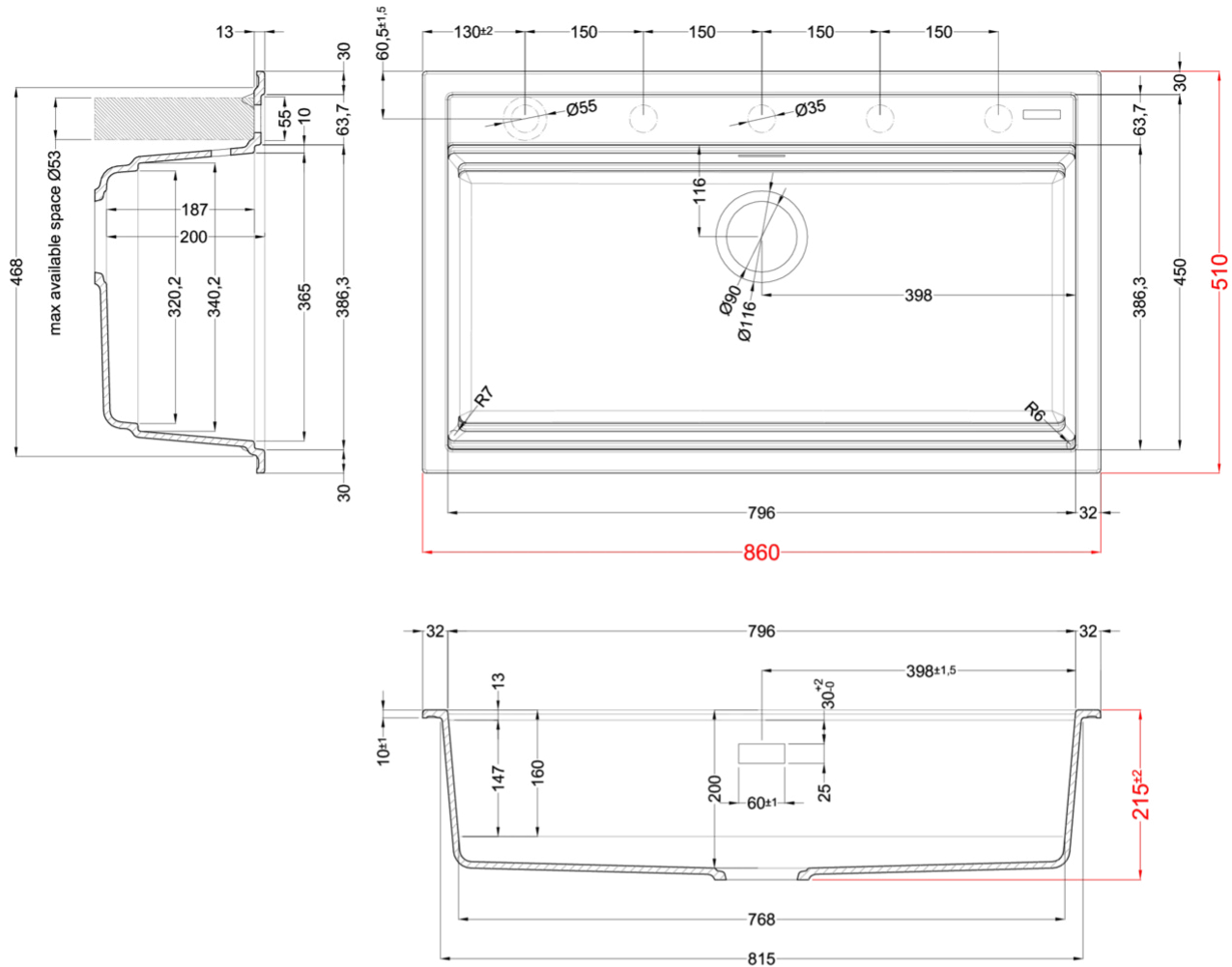
**LGB36051** G51  
8032557037996



**LGB36059** G59  
8032557038009



**LGB36062** G62  
8032557038016



## BEST 360

general tolerances where not expressly communicated  $\pm 0.2\%$   
connection dimensions according to UNI EN 695

