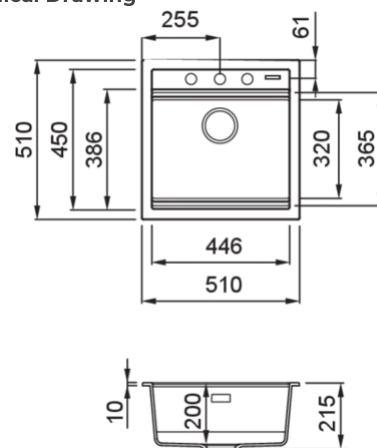


BEST 104



Technical Drawing



0

| | |
|--|--------------------------------|
| Description | 1-bowl sink |
| Model | BEST 104 |
| Base (mm) | 500 600 if first component |
| 0 | Inset |
| Dimensions (mm) | 510 x 510 |
| Hole for built-in installation (mm) | 490 x 480 |
| Bowl Depth (mm) | 200 |



0

| | |
|---------------------------------|-----------------|
| Gross Weight (kg) | 12,60 |
| Net Weight (kg) | 9,00 |
| Packaging Dimension (kg) | 690 x 575 x 300 |
| 0 (kg) | 0,119 |

0

| | |
|------------------|---|
| Packaging | Space-saving siphon, integrated Flow Pro, rectangular overflow and hooks. |
| 0 | |

KERATEK
CERAMIC NANOTECHNOLOGY CN6



LKB10486 K86
8032557029434



LKB10493 K93
8032861020448



LKB10495 K95
8032861020486



LKB10496 K96
8032861020455



LKB10497 K97
8032861020493



LKB10499 K99
8032861020509

METAL



LMB10473 M73
8031873119225



LMB10479 M79
8031873119232

MATT



LGB10478 C78
8032557066859



LGB10440 G40
8032557064893



LGB10443 G43
8032557064909



LGB10448 G48
8032557064916



LGB10468 G68
8032557064923

CLASSIC



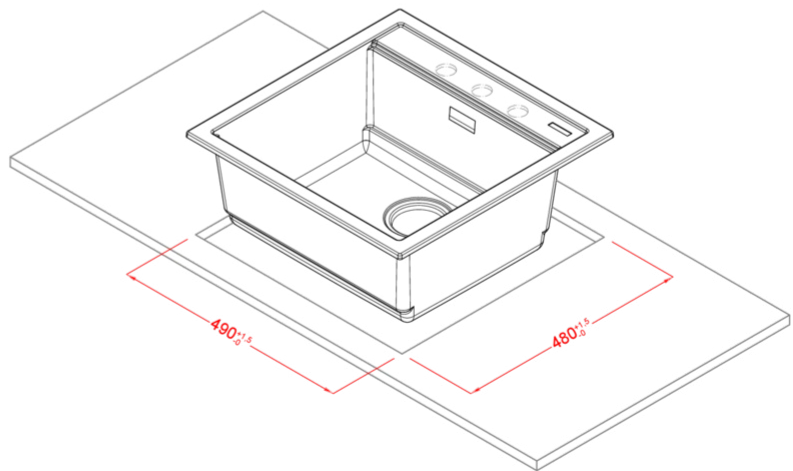
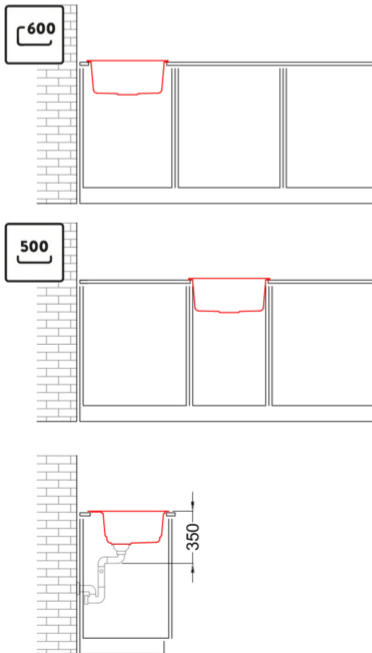
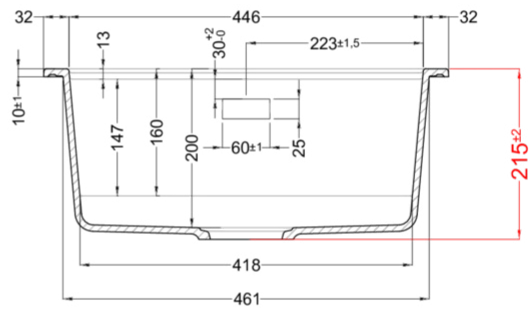
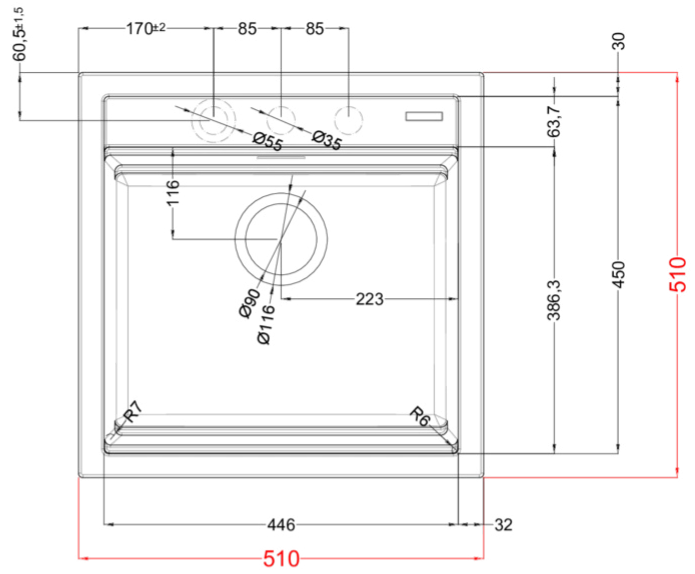
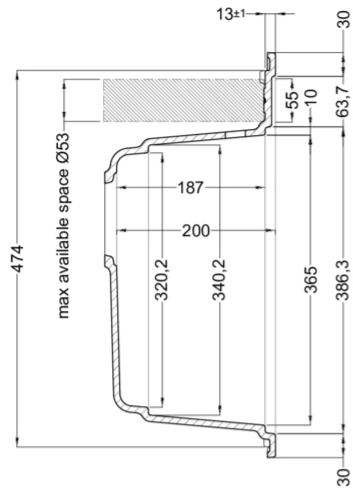
LGB10451 G51
8032557064978



LGB10459 G59
8032557064985



LGB10462 G62
8032557064992



BEST 104

general tolerances where not expressly communicated ±0.2%
connection dimensions according to UNI EN 695