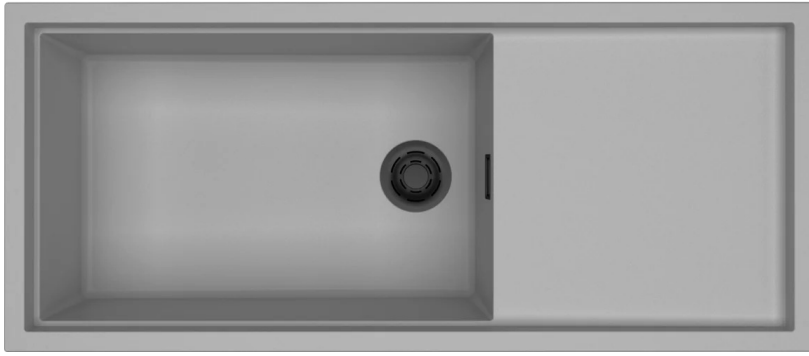
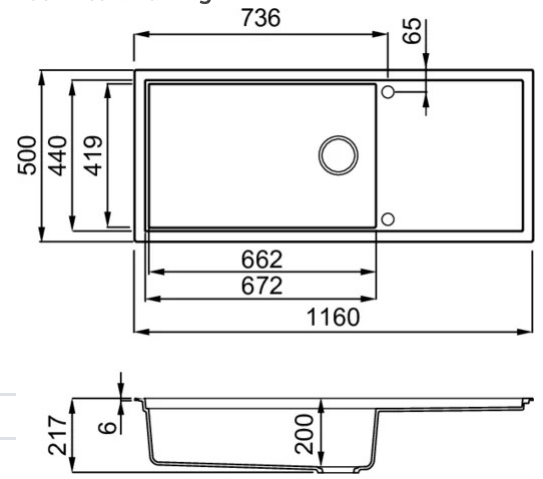


SINTESI 510



Technical Drawing



0

Description

1-bowl sink with drainer *Available with coloured waste: Black Matt, Light Gold, Stainless Steel

Model

SINTESI 510

Base (mm)

If worktop height more than 35 mm base 800
 ||| If worktop height less than 35 mm base 1200
 (Inset) - If worktop height more than 40 mm
 base 800 ||| If worktop height less than 40 mm
 base 1200 (Flushmount)

0

Dimensions (mm)

1160 x 500

Hole for built-in installation (mm)

1140 x 480 mm (Inset), as per drawing
 (Flushmount)

Bowl Depth (mm)

200

0

Packaging Dimension (kg)

1250 x 575 x 300

0 (kg)

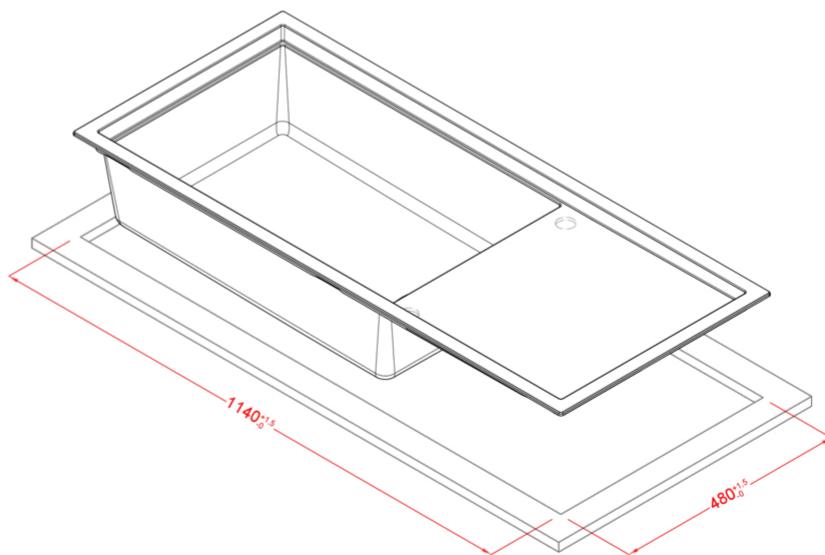
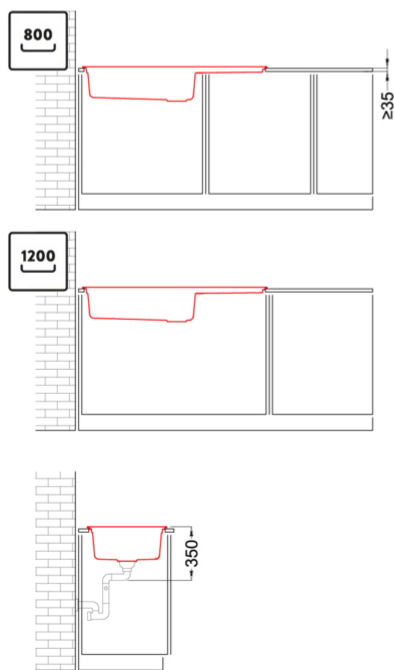
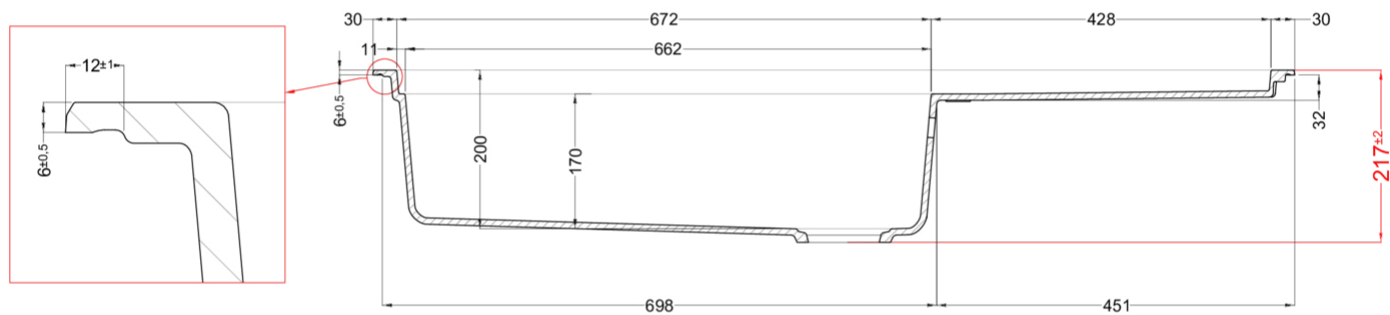
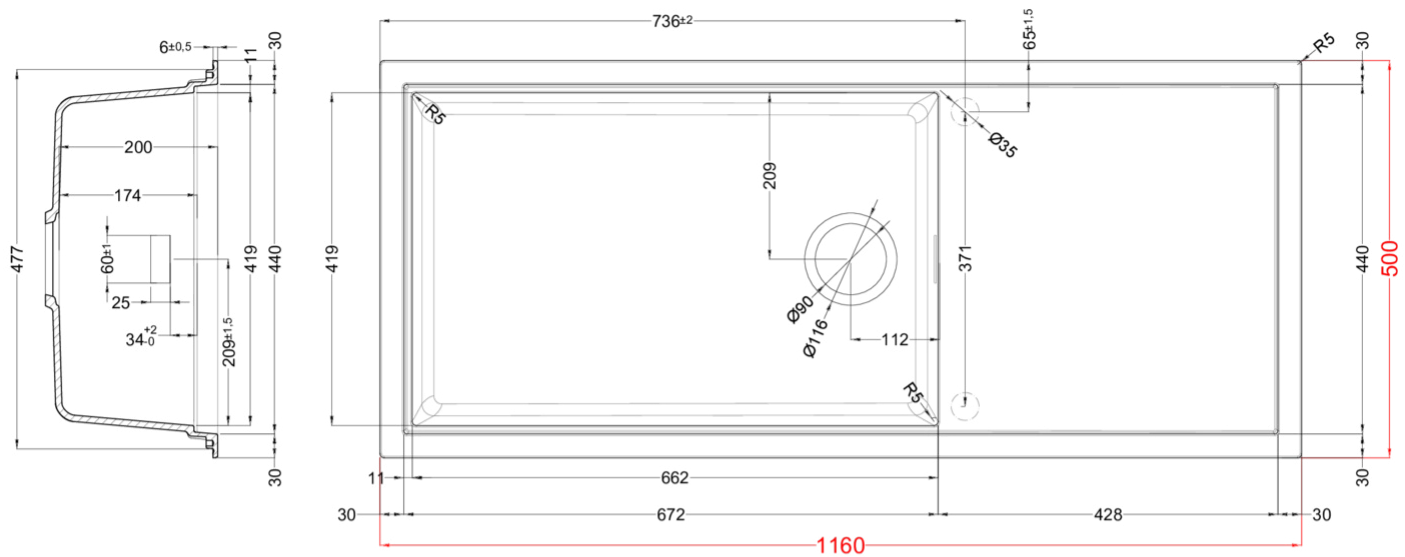
0,216

0

Packaging

Cardboard and polyethylene

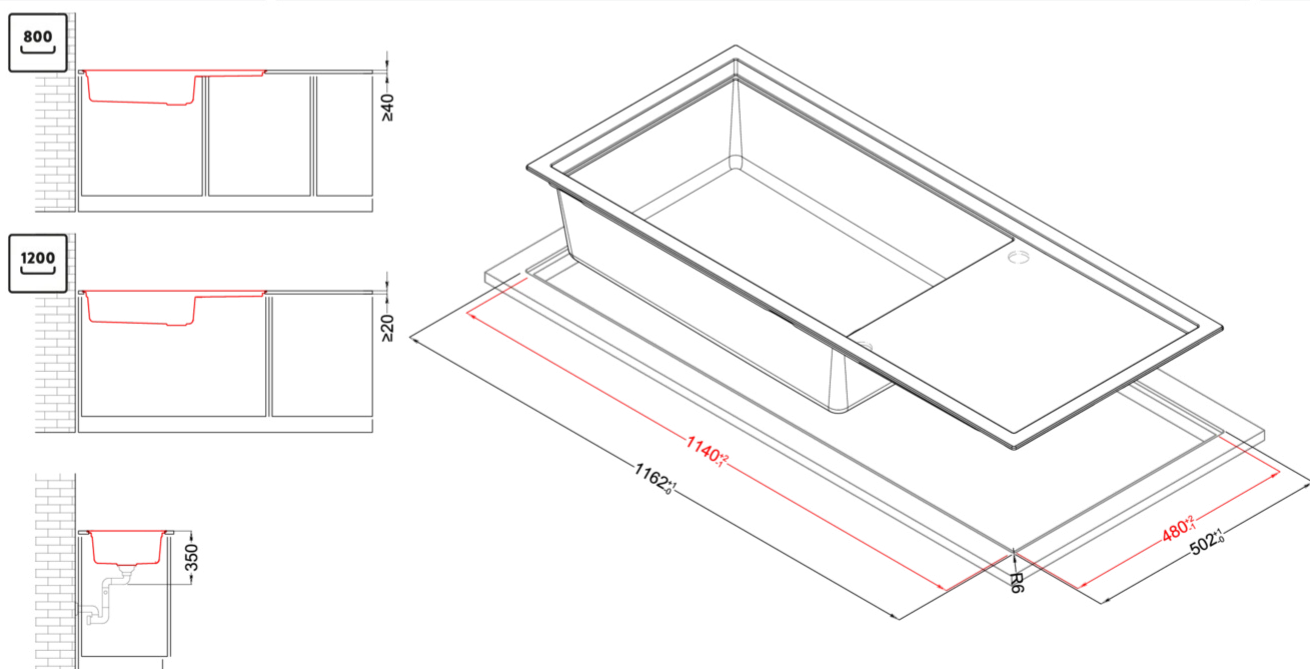
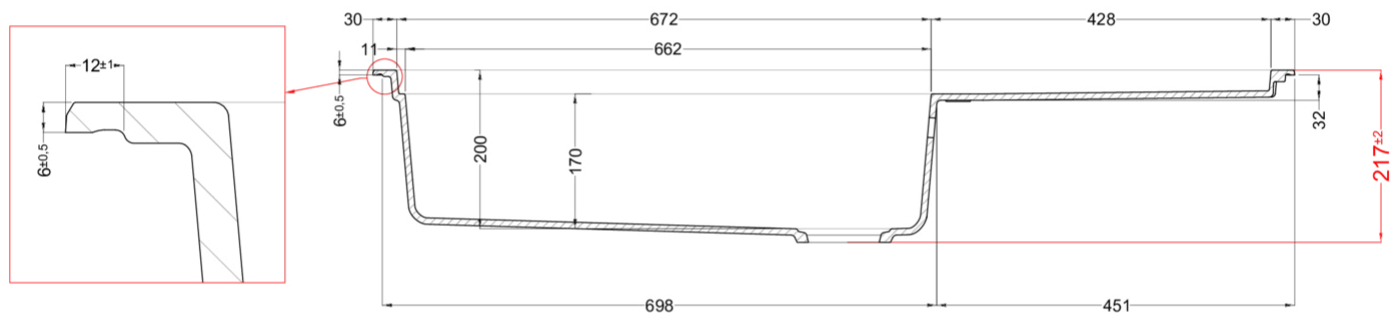
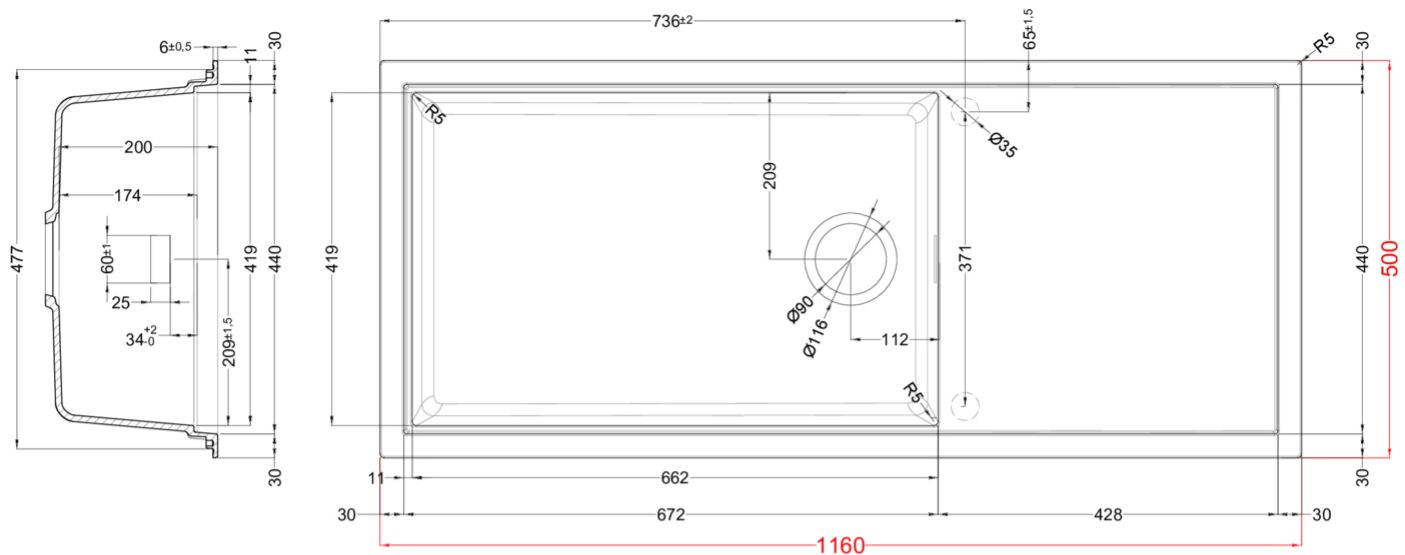




SINTESI 510

general tolerances where not expressly communicated $\pm 0.2\%$
connection dimensions according to UNI EN 695





SINTESI 510 FLUSHMOUNT

general tolerances where not expressly communicated ±0.2%
connection dimensions according to UNI EN 695

