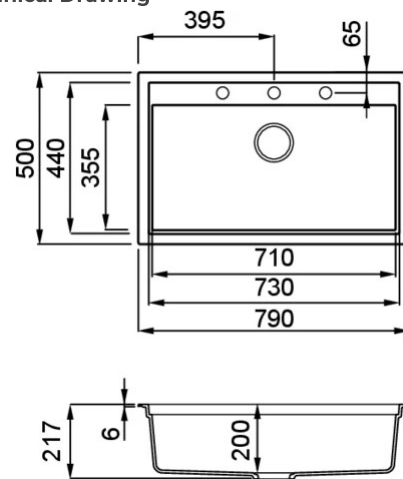


SINTESI 130



Technical Drawing



0

Description 1-bowl sink *Available with coloured waste: Black Matt, Light Gold, Stainless Steel

Model SINTESI 130

Base (mm) 800

0 Inset
Flushmount

Dimensions (mm) 790 x 500

Hole for built-in installation (mm) 770 x 480 mm (Inset), as per drawing
(Flushmount)

Bowl Depth (mm) 200



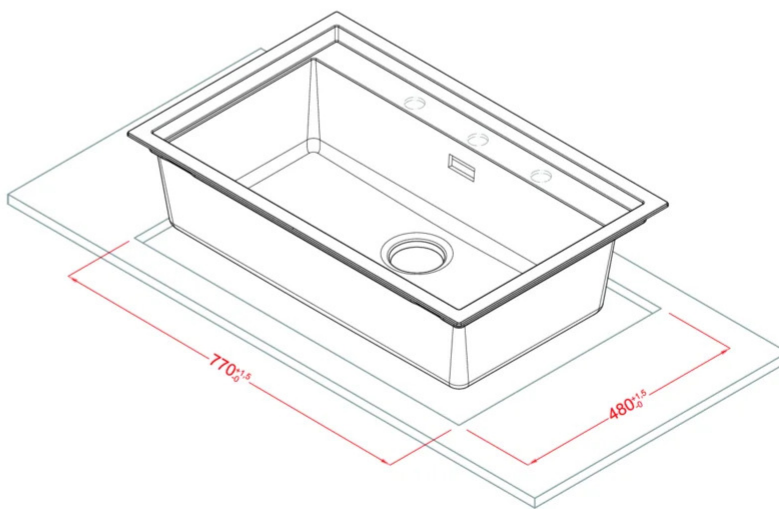
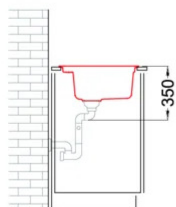
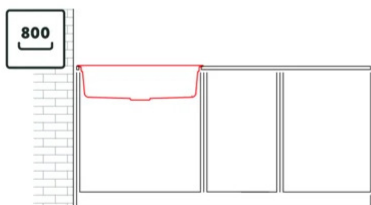
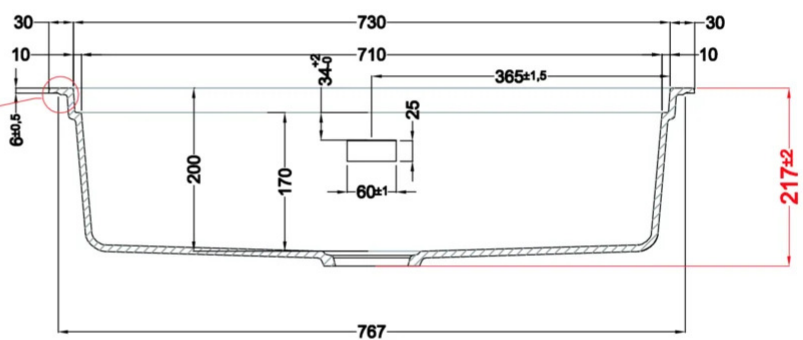
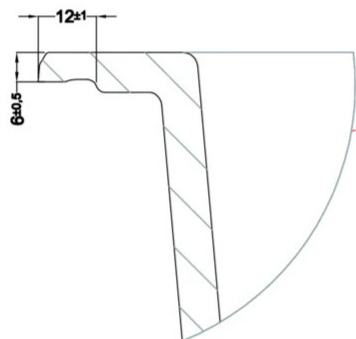
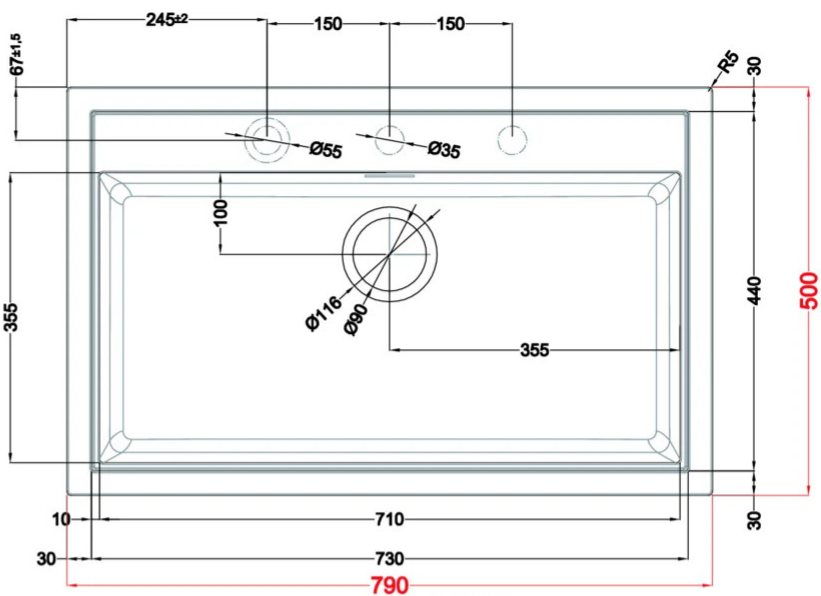
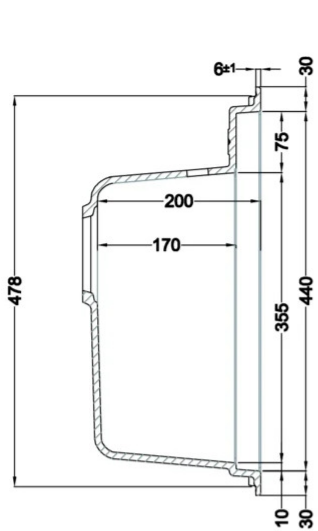
0

Packaging Dimension (kg) 870 x 575 x 300

0 (kg) 0,150

0

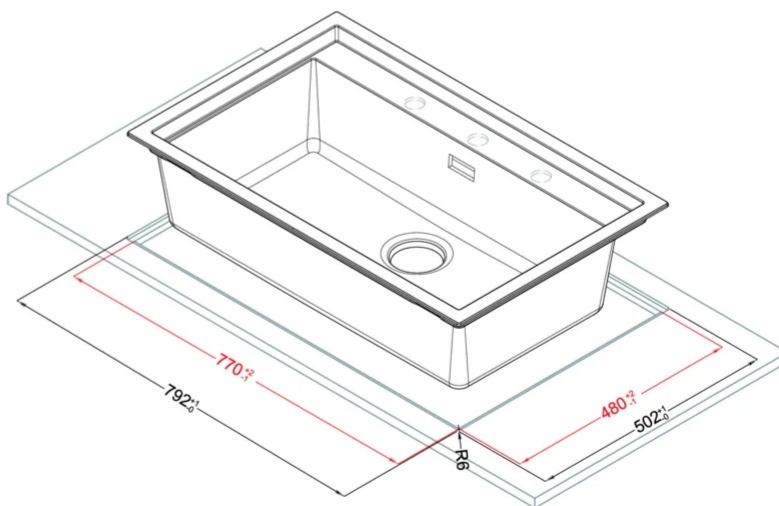
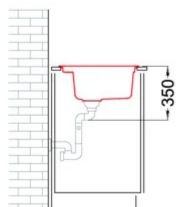
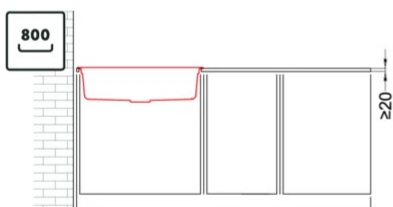
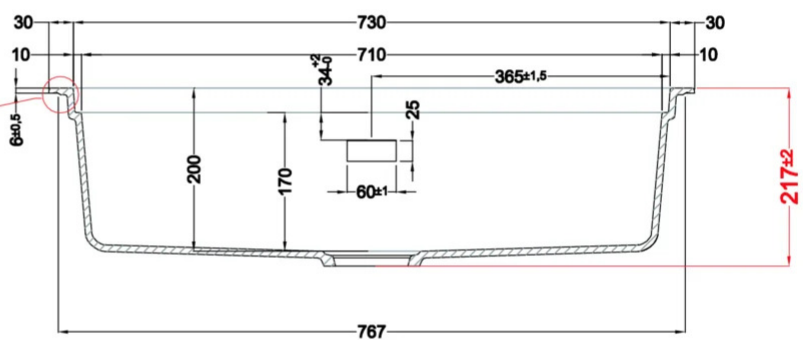
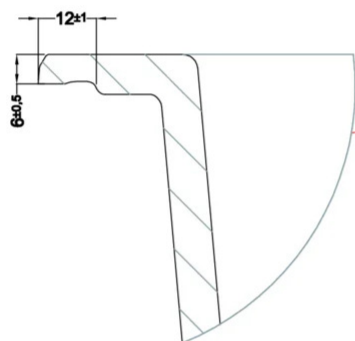
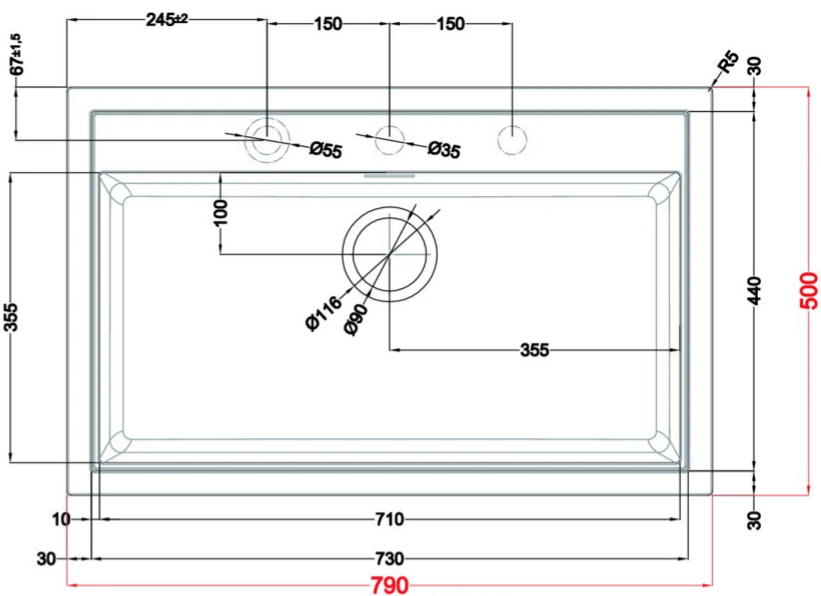
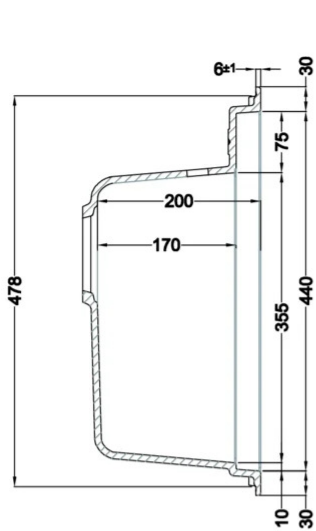
Packaging Cardboard and polyethylene



SINTESI 130

general tolerances where not expressly communicated $\pm 0.2\%$
rev.1 02.12.22





SINTESI 130 FLUSHMOUNT

general tolerances where not expressly communicated $\pm 0.2\%$
rev.1 02.12.22

